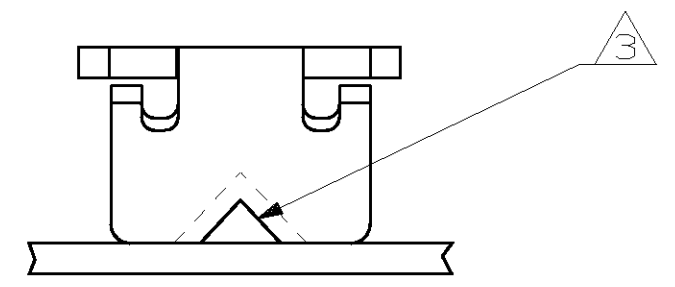
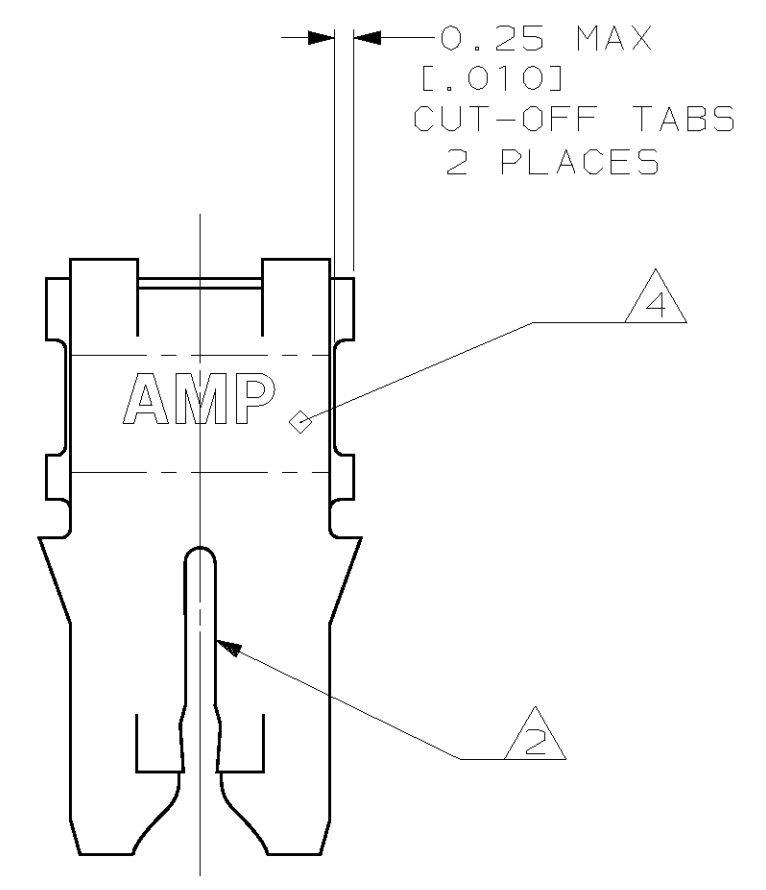
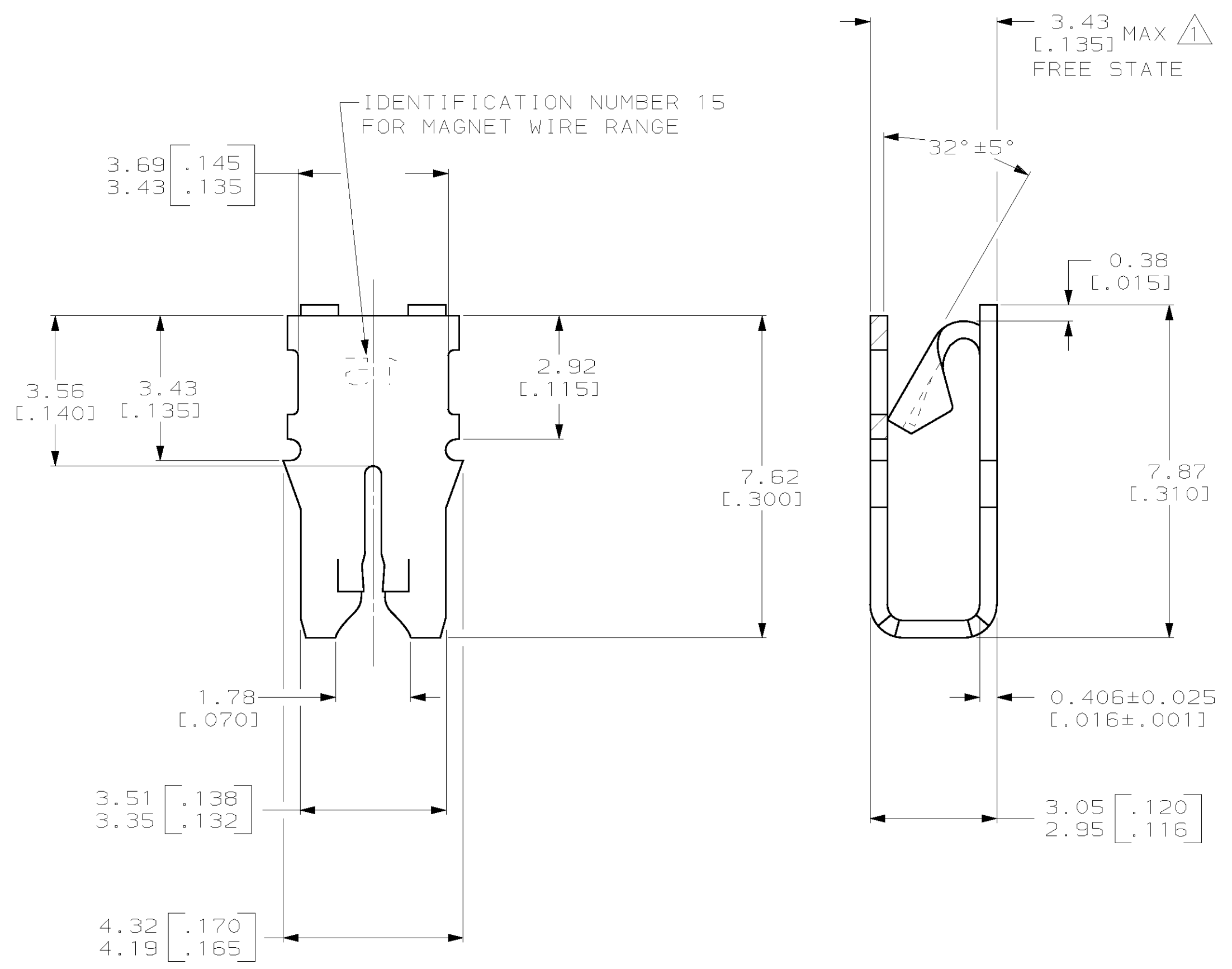


THIS DRAWING IS UNPUBLISHED. RELEASED FOR PUBLICATION
 (C) COPYRIGHT 19 BY AMP INCORPORATED. ALL RIGHTS RESERVED.

LOC	DIST	REVISIONS					
AF	50	P	LTR	DESCRIPTION	DATE	DWN	APVD
		0	-			-	-



- ① DIMENSION APPLIES WITH LEAF EDGE TOUCHING CARRIER SIDE OF BOX
- ② SLOT ACCEPTS 0.64-0.81mm [#22-#20] AWG COPPER MAGNET WIRE. A SINGLE WIRE ONLY.
- ③ POKE-IN ACCEPTS A 0.81-1.02mm² [#20-#18] AWG SOLID OR FUSED STRANDED LEAD WIRE.
- ④ APPLY BLACK COLORING TO THIS SURFACE DURING LOOSE PIECE OPERATION TO PROVIDE COLOR CODING OF MAGNET WIRE RANGE



62524-1
PART NUMBER

THIS DRAWING IS A CONTROLLED DOCUMENT.		DWN R.GRZYBOWSKI 21 JAN 98	AMP Incorporated Harrisburg, PA 17105-3608	
DIMENSIONS: mm [INCHES]		CHK M.S.FEHER 21 JAN 98	NAME N.E.NEFF 21 JAN 98	
TOLERANCES UNLESS OTHERWISE SPECIFIED:		APVD N.E.NEFF 21 JAN 98	PRODUCT SPEC 108-2012	
0 PLC ± 1 PLC ± 2 PLC ±0.25(.010) 3 PLC ± 4 PLC ±		APPLICATION SPEC 114-2046	SIZE A2	CAGE CODE 00779
MATERIAL 4M BRASS		FINISH 0.002032 [.000080] MIN TIN PER MIL-T-10727	WEIGHT -	DRAWING NO 62524
		CUSTOMER DRAWING	SCALE 10:1	SHEET 1 OF 1
			RESTRICTED TO -	REV 0

62524